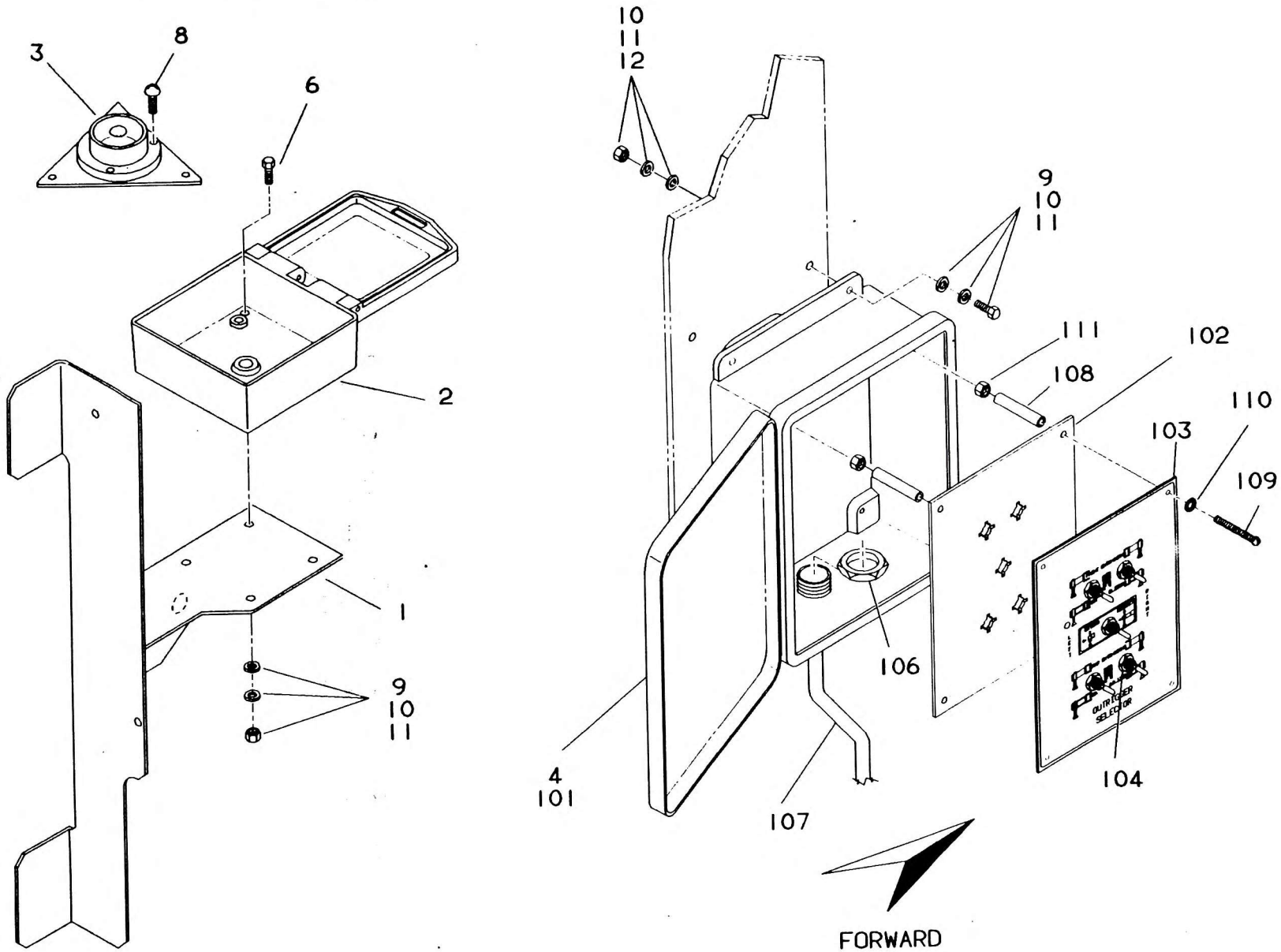


RIGHT HAND SIDE INSTALLION



LEFT HAND SIDE INSTALLION

2-170-1-00537

Sheet 1 of 2

